

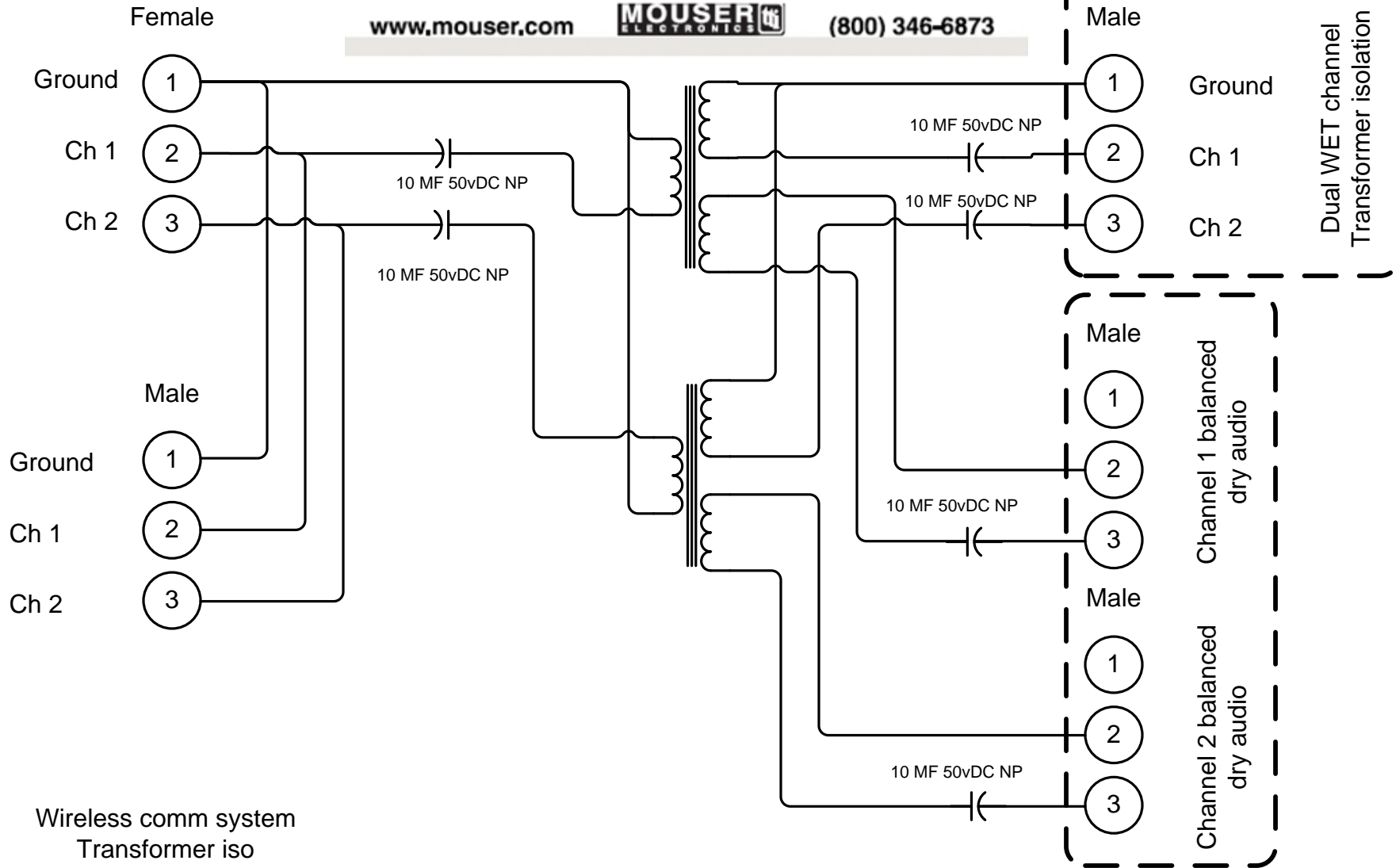
This end from RTS or Clear-Com intercom system

Dual Secondaries with PC Leads

Core Type EI-19, 200mW Max Output							
42TM028	D	600 CT	600/600	78	65/60	Coupling	1.73
Ultraminature Core Type EI-14, 75mW Max Output							
42TL028	B	600 CT	600/600	78	56/56	Coupling	1.46

www.mouser.com **MOUSER** ELECTRONICS (800) 346-6873

This end to BTR800  
2 wire input



Wireless comm system  
Transformer iso  
for 2 wire input usage  
to eliminate ground loops

Adaptor also provides dry  
balanced audio access to  
each comm channel

Revisions		

**best audio**  
320 Seventh Avenue, #264  
Brooklyn, NY 11215  
917-750-1134

**Intercom Adapters**

System ground iso with dry winding

Designer: Pete Erskine

SCALE None

Drawn by: Pete Erskine

DATE: Nov 5, 2009

Drawing  
Number

1