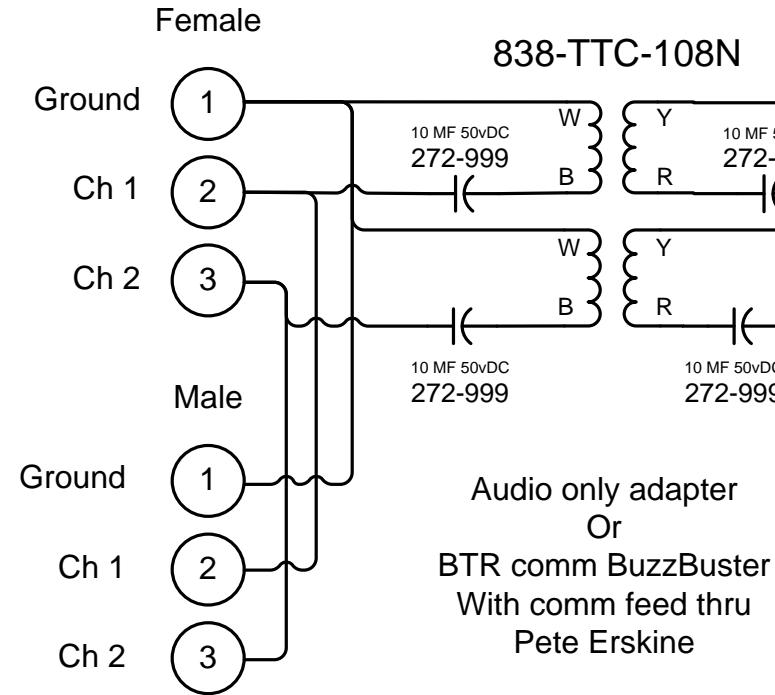
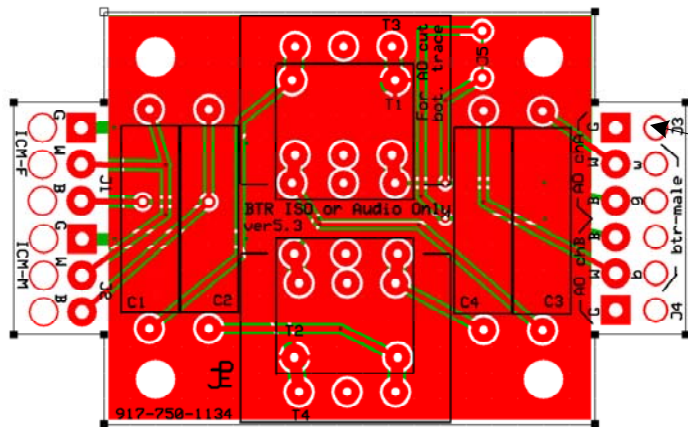
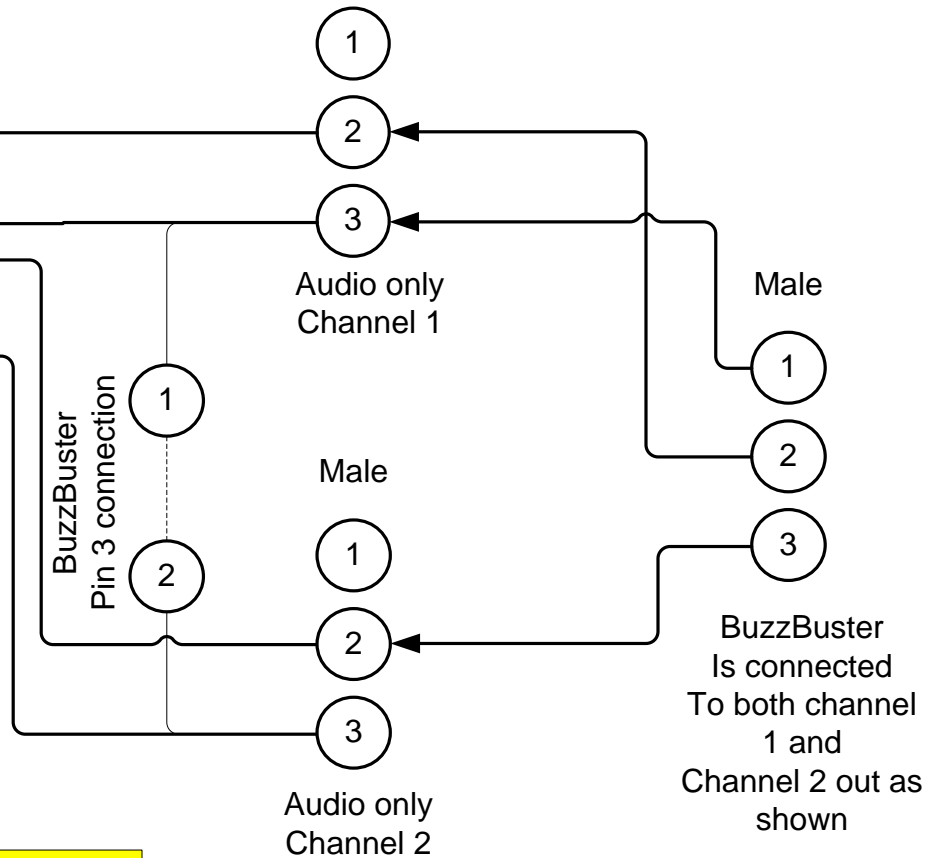


This end from RTS or Clear-Com intercom system



Male

This end to BTR800 2 wire input




Wire strain Relief holes

- Parts List**
- 2 Transformers: Mouser 838-TTC-108N
 - 4 Capacitors: Radio Shack 272-999
 - PC board: Bestaudio PC
 - 1 Project box: Radio Shack 270-1801

BTR 800 Transformer iso for 2 wire input usage to eliminate ground loops. Adapter has capacitors at both ends to protect against accidental reversal

Note: Mouser transformer is slightly too tall for PC board to be mounted normally in the project box. Insert board upside down with transformers to us in this box.

Revisions		 320 Seventh Avenue, #264 Brooklyn, NY 11215 917-750-1134	Intercom Adapters	
			System ground iso or Audio only	
Designer: Pete Erskine		SCALE: None	Drawn by: Pete Erskine	
		DATE: Jun 27, 2010		
				Drawing Number 1