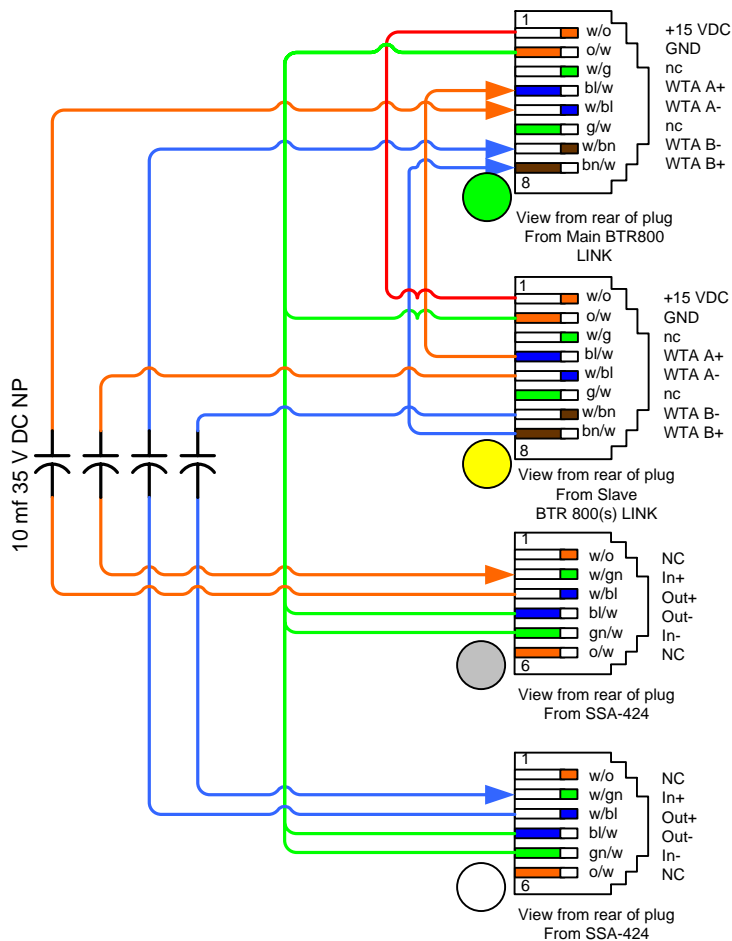


The purpose of this adapter is to interface the WTA BTR-800 channel to hard wired intercom. It has a limitation in that the WTA communication to the hard wired intercom works only from the slave units of a BTR-800 system. All BTR-800 belt packs hear and talk as before on the WTA (A or B) channel and all belt packs can hear the hard wired com talking to the WTA channel but only the belt packs on the slave systems can talk to the hard wired coms.

Gain setup of the entire system should be referenced to the level of the WTA comms since there is no way to adjust this level. **Note that the SSA-424 should be set for as low an input / output gain as possible or the system will get very unstable and reverberant.**

The 4 cable connectors are clearly labeled with colors and text: Slave, Master, J2A, and J2B. The J2 cables go to the RJ11 4 wire connections on the SSA-424. The Slave and Master go to the BTR-800 Link connectors. To add more slave systems, use parallel RJ45 twofers.



5/19/2003 Corrected wiring - channels reversed from J2 connectors and labels reversed on J2A & B

Master BTR-800

1. WTA audio goes into the main unit and feeds the transmitter so all hear.
2. Units on the main station can use WTA to talk to the other belt packs but their audio does not go onto the hardwire WTA output.
3. Control +5 VDC from the BTR-800 slave to pin 4 also carries half of the differential audio from the slave BTR-800
4. All inputs and outputs have DC on them - Transformers are decoupled with 1 mf 35 V DC NP capacitors to avoid saturation.

Slave BTR-800

6. Half of the differential output WTA audio comes out of slave unit and is sent to the 2-4 wire converter and on to the PL.
7. The other half (which also has the +5 Volt control) feeds the main unit to enable the WTA audio input mode.
8. The slave unit is heard on the main system WTA.
9. The main unit WTA does NOT feed the PL.

SSA-424 J2A

10. This is the 4 wire input for channel 1 of the SSA-424 2-4 wire converter
11. Ground from the main unit is used as the other half of all the SSA-424 4 wire inputs which are transformer I/O

SSA-424 J2B

12. This is the 4 wire input for channel 2 of the SSA-424 2-4 wire converter
13. Ground from the main unit is used as the other half of all the SSA-424 4 wire inputs which are transformer I/O

Revisions		 320 Seventh Avenue, #264 Brooklyn, NY 11215 917-750-1134	Intercom Adapters	
				Telex BTR-800 WTA Hard wired intercom adapter cable
Designer: Pete Erskine		SCALE: None	Drawn by: Pete Erskine	
		DATE: Feb 20, 2005		Drawing Number
				1